

Electronic Throttle Module



Fast Idle Speed Control for Ford Ambulance Prep Package Vehicles with Gas Engines.

The ETM52-QVM Electronic Throttle provides high idle functions for 2009-2010 Ford chassis with gas engine ambulance prep packages. Two modes of fast idle control are provided. The *Fixed Speed* mode elevates the engine speed to 1350 rpm. The *Automatic* mode increases the engine speed to 1350 rpm when the battery voltage indicates a low charging condition. Normal idle speed is resumed when the battery voltage indicates a charged condition.

Key Features

- Supports Ford Chassis
- Automatic Battery Charge Protect Mode
- Fixed Speed High Idle Mode
- Diagnostic LED Status Indicators
- Built-In Safety Interlocks
- Wiring Harness with Amp Connector
- Compact Size
- Easy To Install

The fast idle function includes interlock safeguards that must be satisfied before the engine speed can be increased. These enablers include: transmission in Park, parking brake set, vehicle stationary (no speed), foot off service brake, foot off accelerator, and engine coolant above 140° F.

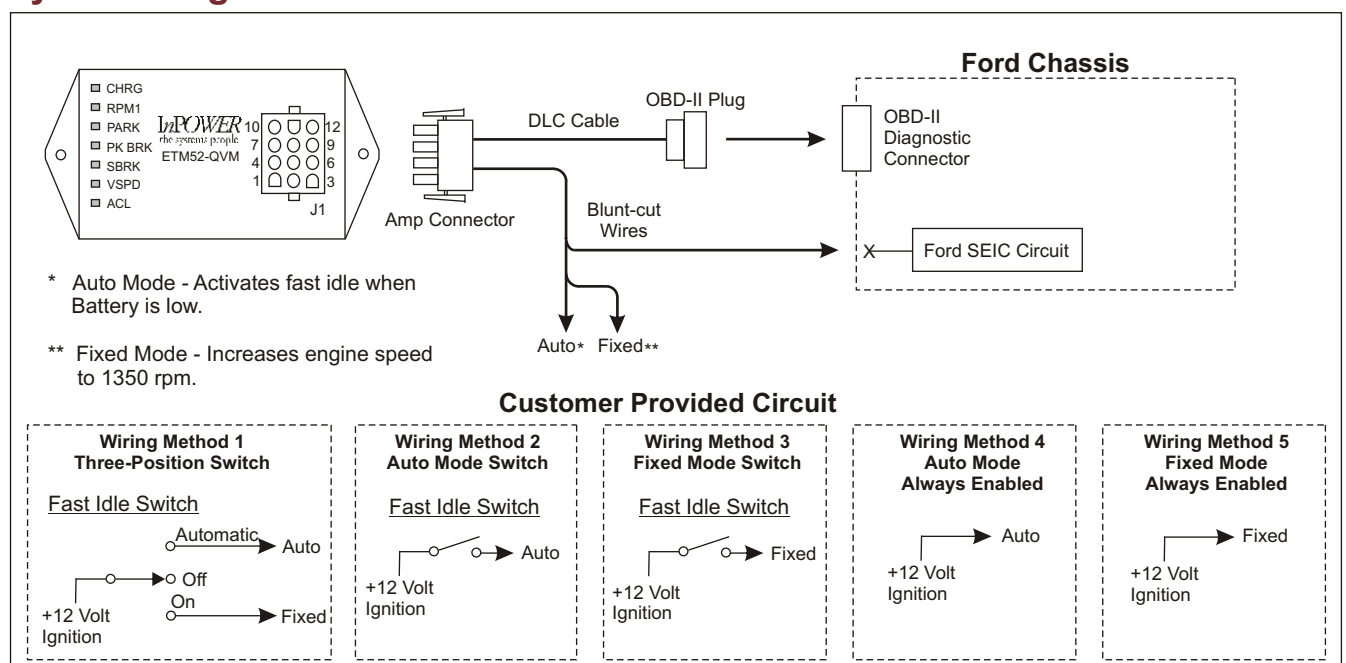
Vehicles supported include:

2009-2010	Ford	E250-F450
2009-2010	Ford	F250-E550

Seven LED indicators are located on the ETM52-QVM module to display the selected operating mode and the safety interlock conditions.

Wiring terminations utilize an Amp 12-pin Mate-N-Lok connector. A wiring harness is included that contains a OBD-II plug and blunt-cut wires for connecting to chassis functions and the customer provided Fast Idle switch.

System Diagram



ETM52-QVM Electronic Throttle Module

Specifications

Modes of Operation

- Fixed Speed Mode: When activated, the engine speed is increased to 1350 rpm.
- Automatic Mode: Automatically elevates engine speed to 1350 rpm when the battery charge is low.

Power Requirements

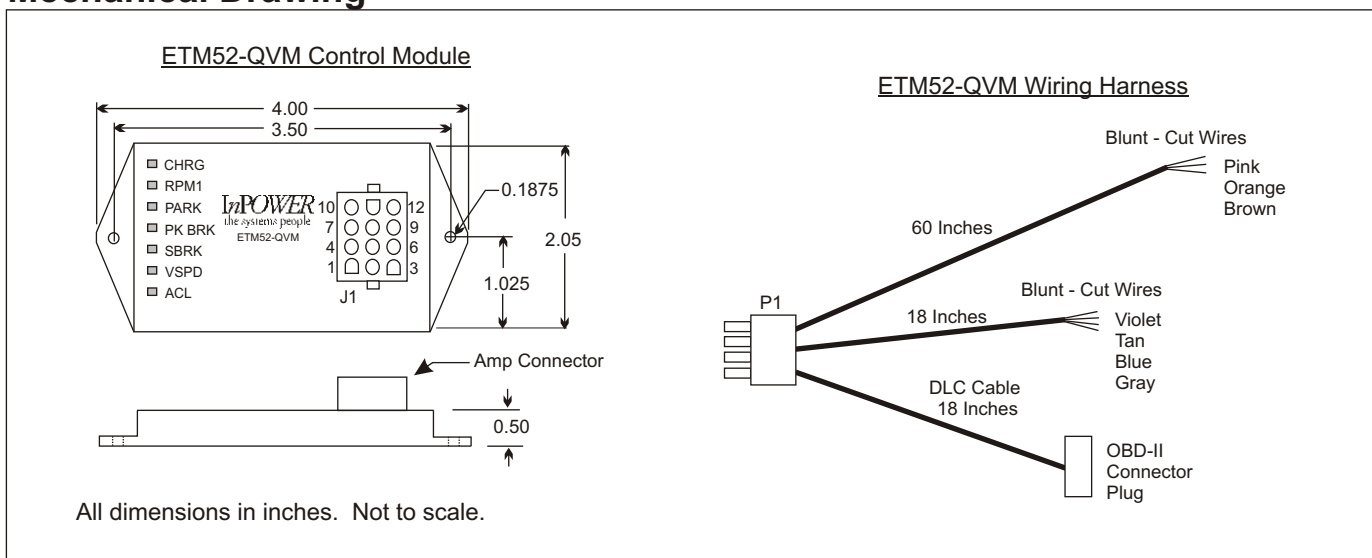
- Input Voltage: 8 to 16 volts dc (from Ignition Switch)
- Input Current: 30 milliamps

Chassis Supported

- Ford chassis with automatic transmissions:
 - 2009-2010 E250-E450
 - 2009-2010 F250-F550

- Engines: 5.4L(L), 6.0L(P), 6.8L(S)
- Engines: 6.4L(R), 5.4L (5), 6.8L (S)

Mechanical Drawing



InPOWER LLC

3555 Africa Road
Galena, Ohio 43021
Tel 740-548-0965
Fax 740-548-2302

www.InPowerLLC.com

Offered by:

PDS100A - 091709

© Copyright 2009 InPOWER LLC

Specifications subject to change without notice.