

## Electronic Throttle Modules



### Applications

- Chevy/GMC Vortec Gas and Duramax Diesel Truck Engines
- Pumper Trucks
- Aerial Trucks
- Power Take-Off (PTO) Systems
- Emergency Vehicles
- Service and Rescue Trucks
- Hydraulic Systems
- Air Compressors
- Power Inverter Systems

### Key Features

- Five modes of operation
- Engine Control Module programming for speed presets not required
- No requirement for Chevy/GMC options
- Direct interface to engine controller data bus
- Encapsulated electronics for maximum environmental protection
- Reads sensor information directly from engine controller - no sensor wiring required
- LED status and troubleshooting indicators

### Five-Mode Fast Idle Speed Control for Chevy & GMC Trucks, Buses, and Vans

The ETM60/61 Electronic Throttle Controllers provides five modes of engine rpm control for Chevy & GMC trucks, vans, and buses that use the following engines:

- 4.8 L Vortec V8 Gas
- 5.3 L Vortec V8 Gas
- 6.0 L Vortec V8 Gas
- 8.1 L Vortec V8 Gas
- 6.6 L Duramax Diesel

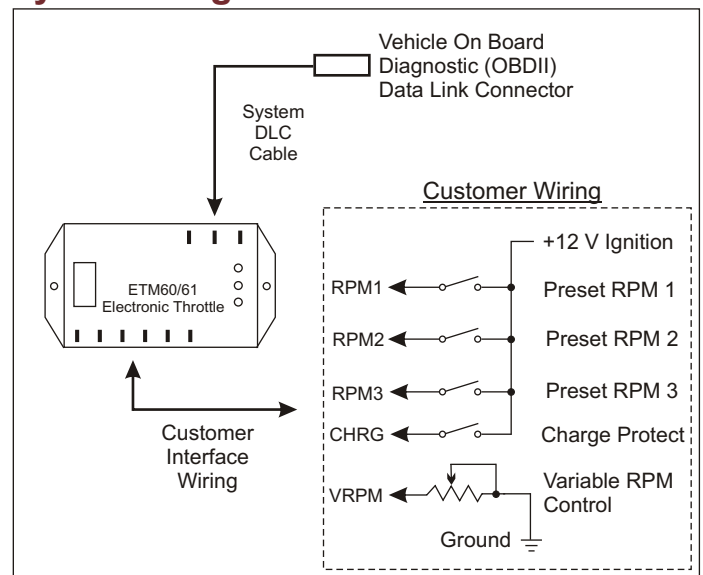
The model required will depend on the vehicle's transmission type:

- Model ETM60 Supports Automatic Transmissions
- Model ETM61 Supports Manual Transmissions

Five selectable modes of fast engine idle operation include three preset fixed speeds, a variable speed control via an external potentiometer, and *Charge Protect*, which will automatically increase engine speed to maintain the battery charge. Ten LED indicators are provided to display the selected operating mode, system status, and error conditions. The ETM60/61 controller module is compact, measuring only 2 x 4 inches. Wiring terminations utilize 0.25 inch Faston (blade) terminals.

Installation is simplified with a wiring harness that plugs into the vehicle's engine data bus, eliminating the need to wire into chassis sensors or the accelerator pedal module. The ETM60/61 module mounts under the dash and is supplied with a three foot cable that plugs into the vehicle's OBDII Data Link Connector.

### System Diagram



# ETM60 Series Electronic Throttle Modules

## Specifications

### Model Numbers

Model ETM60 Automatic transmission vehicles  
 Modle ETM61 Manual transmission vehicles

### Modes of Operation

#### A. Preset RPM Modes

Function: Increases idle to a preset rpm  
 Number of presets: Three  
 Input identification: RPM1, RPM2 & RPM3  
 Activation: Apply +12 V to input to select mode  
 Range of calibration: 680 to 2000 rpm  
 Calibration method: Internal potentiometers

#### B. Charge Protect Mode

Function: Varies rpm to maintain battery charge  
 Input identification: CHRG  
 Activation: Apply +12 V to input to select mode  
 RPM range: 680 to 1700 rpm

#### C. Variable RPM Mode

Function: Varies rpm as a function of external resistance change  
 Input identification: VRPM  
 Adjustment: 10k Ohm potentiometer between input terminal and ground  
 RPM range: 680 to 2000 rpm

### Power Requirements

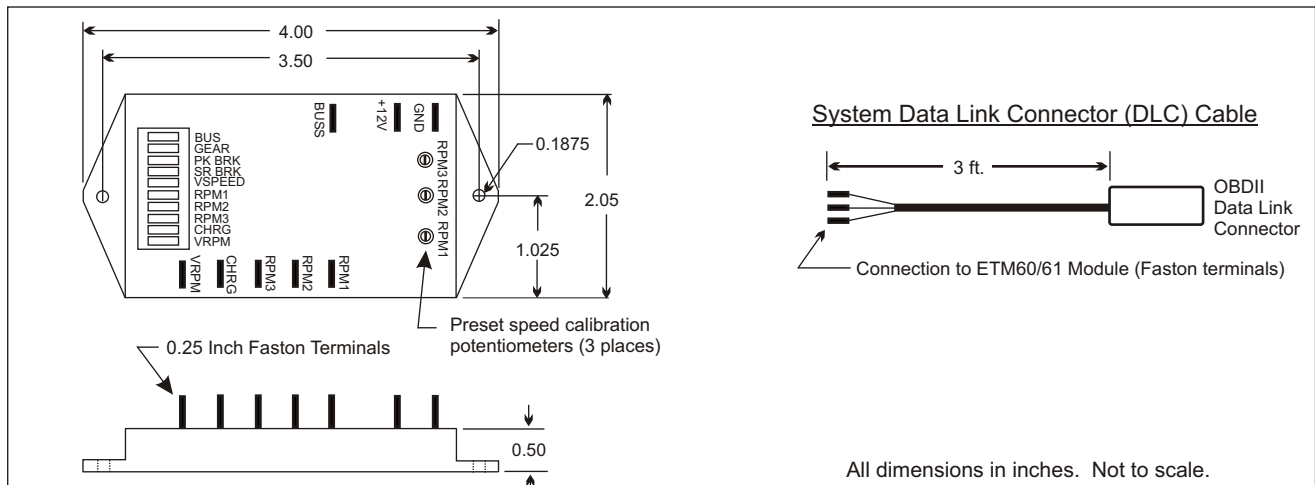
Input Voltage: 8 to 16 volts dc (from Ignition Switch)  
 Input Current: 30 milliamps

## Chevy & GMC Engines and Chassis Supported\* (Model Years 2003 & 2004)

Engine	Chassis
4.8 L Vortec Gas	Silverado/Sierra 1500
	Tahoe, Yukon
5.3 L Vortec Gas	Express/Savana
	Silverado/Sierra 1500
	Express/Savana
6.0 L Vortec Gas	Avalanche, Suburban,
	Tahoe, Trailblazer EXT,
	Envoy XL/UXL,
	Yukon/XL Danali/XL
	Silverado/Sierra 2500
6.0 L Vortec Gas	Silverado/Sierra 3500
	Express/Savana
	Suburban, Yukon XL,
8.1 L Vortec Gas	Yukon XL Danali
	Silverado/Sierra 2500
6.6 L Duramax Diesel	Silverado/Sierra 3500
	Avalanche, Suburban,
	Yukon XL
	Kodiak/Topkick C4500
	Kodiak/Topkick C5500
6.6 L Duramax Diesel	Kodiak/Topkick C6500
	Kodiak/Topkick C7500
	Kodiak/Topkick C8500
	Silverado/Sierra 2500
	Silverado/Sierra 3500
6.6 L Duramax Diesel	Kodiak/Topkick C4500
	Kodiak/Topkick C5500

\* InPower is in the process of certifying that the above vehicles will properly operate the ETM60/61 electronic throttles. Contact InPower for the current list of certified vehicles.

## Mechanical Drawing



### InPOWER LLC

3555 Africa Road  
 Galena, Ohio 43021  
 Tel 740-548-0965  
 Fax 740-548-2302

www.InPowerDirect.com

### Offered by:

PDS27C-040504

© Copyright 2004 InPOWER LLC

Specifications subject to change without notice.