

Electronic Throttle Module



Applications

- Chevy/GMC Vortec Gas and Duramax Diesel Truck Engines
- Pumper Trucks
- Aerial Trucks
- Power Take-Off (PTO) Systems
- Emergency Vehicles
- Service and Rescue Trucks
- Hydraulic Systems
- Air Compressors
- Power Inverter Systems

Key Features

- Five modes of operation
- Engine Control Module programming for speed presets not required
- No requirement for Chevy/GMC options
- Direct interface to engine controller data bus
- Encapsulated electronics for maximum environmental protection
- Requires wiring to the chassis parking brake switch
- LED status and troubleshooting indicators

Chevy/GMC Fast Idle Speed Control for Chassis Requiring Hardwired Parking Brake Switch

The ETM62 Electronic Throttle Controller provides five modes of engine rpm control for Chevy & GMC trucks, vans, and buses equipped with automatic transmissions and the following engines:

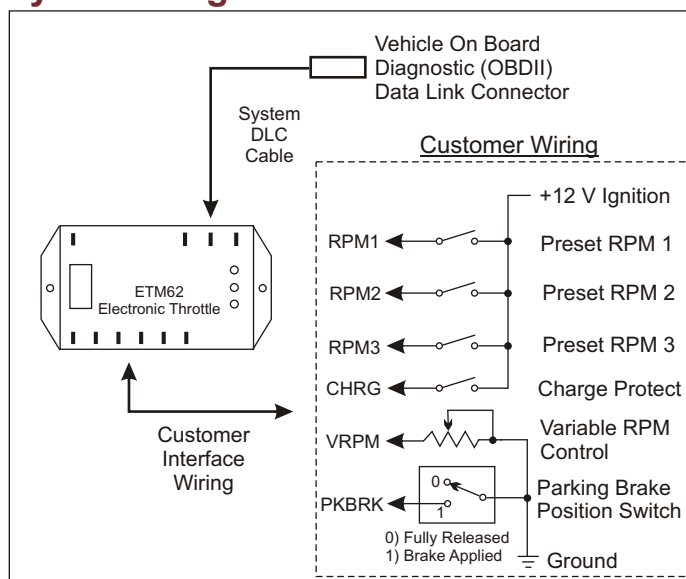
- 4.8 L Vortec V8 Gas
- 5.3 L Vortec V8 Gas
- 6.0 L Vortec V8 Gas
- 8.1 L Vortec V8 Gas
- 6.6 L Duramax Diesel

This controller supports GM chassis that do not provide a parking brake position sensor message on the engine data bus. As the system requires the parking brake to be set before the engine speed is increased, the ETM62 controller must be wired to the chassis parking brake switch.

Five selectable modes of fast engine idle operation include three preset fixed speeds, a variable speed control via an external potentiometer, and *Charge Protect*, which will automatically increase engine speed to maintain the battery charge. Ten LED indicators are provided to display the selected operating mode, system status, and error conditions. The ETM62 controller module is compact, measuring only 2 x 4 inches. Wiring terminations utilize 0.25 inch Faston (blade) terminals.

The ETM62 controller mounts under the dash and is supplied with a three foot cable that plugs into the vehicle's OBDII Data Link Connector. A terminal is provided to wire into the chassis parking brake position switch.

System Diagram



ETM62 Series Electronic Throttle Modules

Specifications

Modes of Operation

A. Preset RPM Modes

Function: Increases idle to a preset rpm
 Number of presets: Three
 Input identification: RPM1, RPM2 & RPM3
 Activation: Apply +12 V to input to select mode
 Range of calibration: 680 to 2000 rpm
 Calibration method: Internal potentiometers (3)

B. Charge Protect Mode

Function: Varies rpm to maintain battery charge
 Input identification: CHRGR
 Activation: Apply +12 V to input to select mode
 RPM range: 680 to 1700 rpm

C. Variable RPM Mode

Function: Varies rpm as a function of external resistance change
 Input identification: VRPM
 Adjustment: 10k Ohm potentiometer between input terminal and ground
 RPM range: 680 to 2000 rpm

Power Requirements

Input Voltage: 8 to 16 volts dc (from Ignition Switch)
 Input Current: 30 milliamps

Safety Interlocks

The following conditions must be met before the ETM62 controller will initiate a fast idle mode:

1. Engine running at idle speed*
2. No vehicle speed*
3. Automatic transmission in PARK*
4. Service brake not depressed*
5. Accelerator pedal not depressed*
6. Parking brake set (hardwired input)

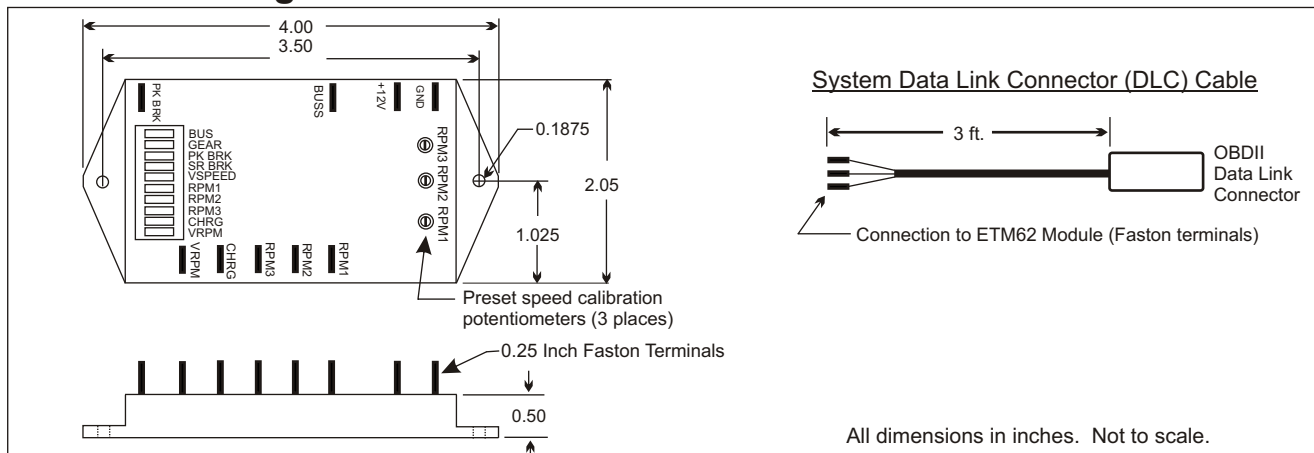
* Sensed by the ETM62 controller via the engine data bus.

Chevy & GMC Engines and Chassis Supported* (Model Years 2003 & 2004)

Engine	Chassis
4.8 L Vortec Gas	Silverado/Sierra 1500
	Tahoe, Yukon
5.3 L Vortec Gas	Express/Savana
	Silverado/Sierra 1500
	Express/Savana
6.0 L Vortec Gas	Avalanche, Suburban,
	Tahoe, Trailblazer EXT,
	Envoy XL/UXL,
	Yukon/XL Danali/XL
	Silverado/Sierra 2500
8.1 L Vortec Gas	Silverado/Sierra 3500
	Express/Savana
	Suburban, Yukon XL,
	Yukon XL Danali
6.6 L Duramax Diesel	Silverado/Sierra 2500
	Silverado/Sierra 3500
	Kodiak/Topkick C4500
	Kodiak/Topkick C5500
	Kodiak/Topkick C6500
6.6 L Duramax Diesel	Kodiak/Topkick C7500
	Kodiak/Topkick C8500
	Silverado/Sierra 2500
	Silverado/Sierra 3500
6.6 L Duramax Diesel	Kodiak/Topkick C4500
	Kodiak/Topkick C5500

* InPower is in the process of certifying that the above vehicles will properly operate the ETM60 Series electronic throttles. Contact InPower for the current list of certified vehicles.

Mechanical Drawing



InPOWER LLC

3555 Africa Road
 Galena, Ohio 43021
 Tel 740-548-0965
 Fax 740-548-2302

www.InPowerDirect.com

Offered by:

PDS30A-042804

© Copyright 2004 InPOWER LLC

Specifications subject to change without notice.