

Dual Electronic Diesel Engine Heater Switch



Key Features

- 100% Solid State Design
- Dual, Individually Controlled Power Switches
- Positive Voltage Remote Control
- No Standby Current Draw
- Automatic Over Current Shutdown
- Completely Sealed Construction
- Compact Size
- Sealed Control Interface Connector

Dual High Current Electronic 12 Volt Switch Operates Cummins Diesel Intake Air Heater Coils.

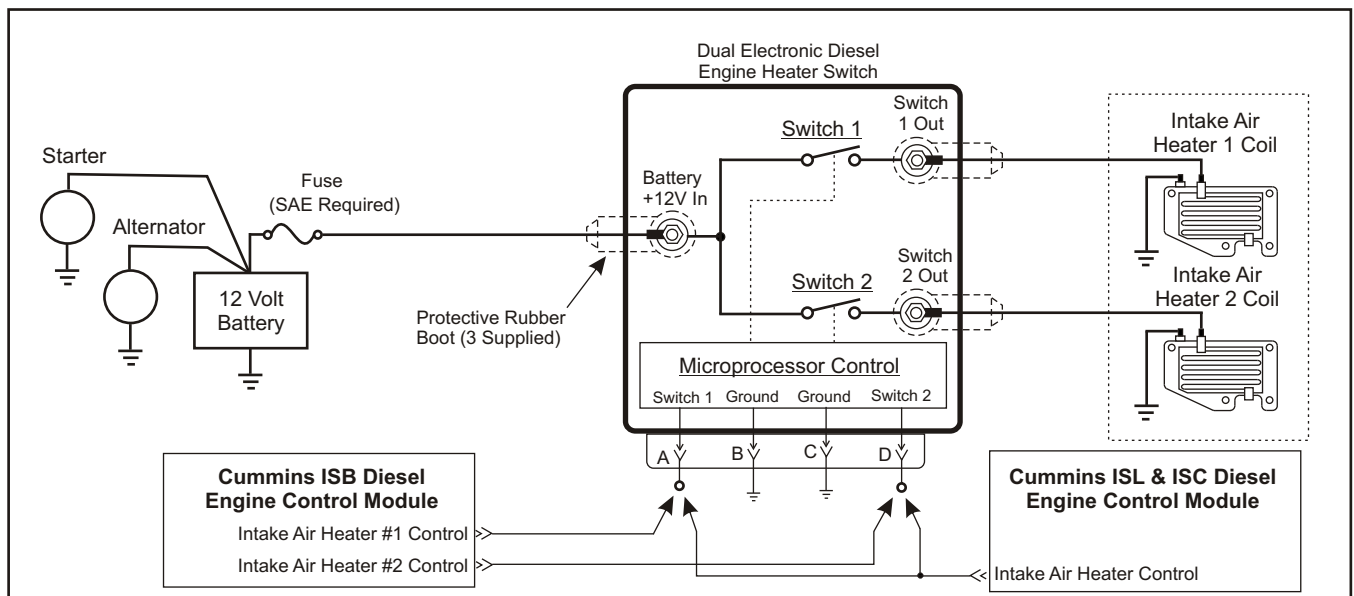
The InPower Model EHS-C1 is a dual electronic dc power switch for controlling the two intake air heater coils on Cummins diesel engines, thereby providing a highly reliable alternative to the typical mechanical relays. The dual power switch operates from positive voltage control (+12 Volts) and can be controlled directly from the Cummins engine control module (ECM).

The EHS-C1 dual power switch provides over current automatic shutdown protection. The two electronic power switches are rated individually at 150 amps continuous. The housing is completely sealed and utilizes a Delphi *Metri-Pak 150* sealed control connector.

Connections for the high current dc cables utilize 3/8-16 stainless steel threaded studs. A unique standoff allows a rubber boot to be used for additional protection from the environment. This rubber boot comes standard with the EHS-C1.

Remote control of the power switches require a positive voltage of >7.5 Vdc to turn the power switches on. Under fault shutdown conditions the remote input control voltage must be removed and reapplied to reset the power switches. Internal temperature sensing will turn off the power switches if the internal temperature increases to 145° F.

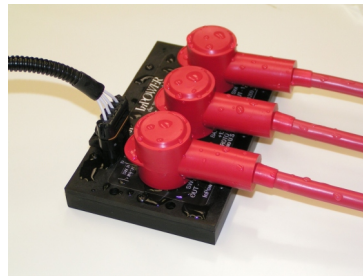
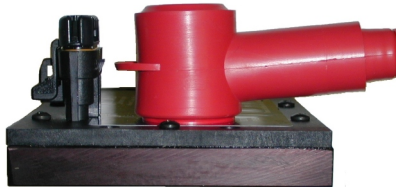
System Diagram



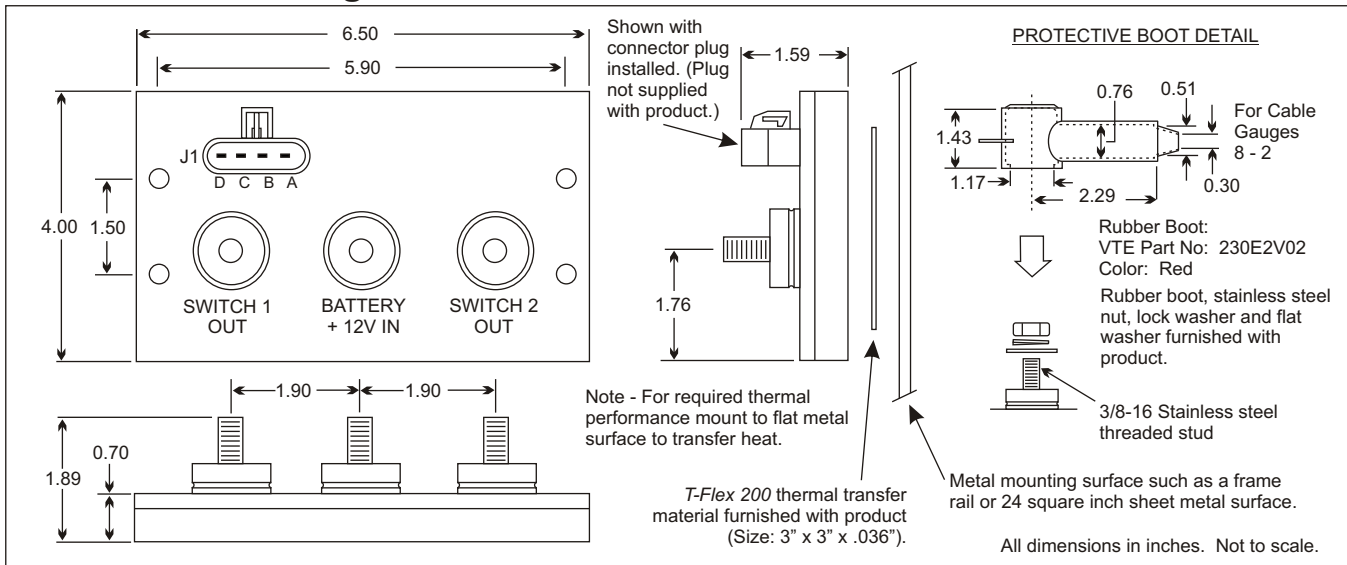
Dual Electronic Diesel Engine Heater Switch

Specifications

| | |
|-----------------------------------|--|
| Operating Voltage Range: | +5.0 to +16.5 volts (Battery Input) |
| Current Rating: | 150 Amps per switch (continuous) |
| Case Operating Temperature Range: | -40° F to +145° F |
| Control Signal Reset Time: | Off for >2 seconds to reset fault shutdown |
| Control Connector (J1): | |
| Type: | Delphi <i>Metri-Pak 150</i> sealed (4-terminal) |
| Terminals: Pin A | + Voltage (>7.5 V) to close Switch 1; Remove voltage to reset or open switch |
| Pin B | Ground |
| Pin C | Ground |
| Pin D | + Voltage (>7.5 V) to close Switch 2; Remove voltage to reset or open switch |
| Connector Reference: | See InPower Technical Bulletin TB-30 for details and purchasing source. |
| Rubber Boot: | VTE Part No. 230 E 2 V 02, Three (3) supplied |
| Weight: | 1.80 lbs |
| Dimensions: | 4.00" x 6.50" x 1.89" |



Mechanical Drawing



InPOWER LLC

3555 Africa Road
Galena, Ohio 43021
Tel 740-548-0965
Fax 740-548-2302

www.InPowerDirect.com

Offered by:

PDS-33D 091205

© Copyright 2005 InPOWER LLC

Specifications subject to change without notice.