



VCM-06 Series Low Voltage Power Disconnect With Shut Off Timer

InPower's VCM Series *Vehicle Control Modules* are a set of "tools" for the designers of vehicle electrical control systems. These solid state modules are designed to withstand the environments typically found on trucks, emergency vehicles, buses, coaches and speciality vehicles, and are available in a variety of standard and custom configurations and functions.

Key Features

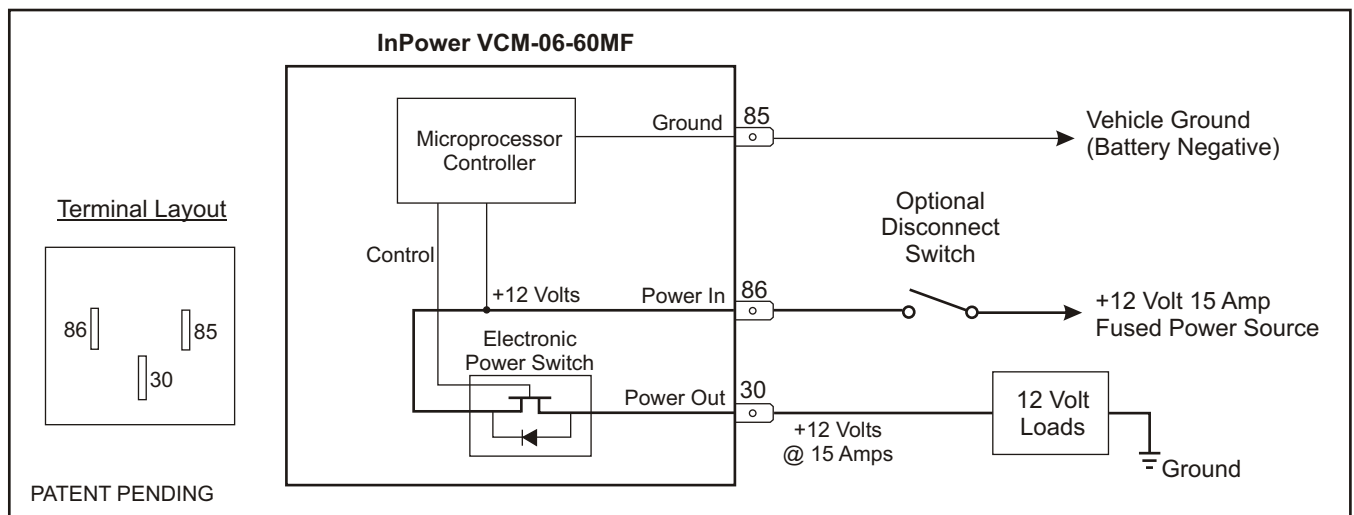
- **Voltage >13.25 - Output On**
- **Voltage <12.8 - Output Off After Shut Off Time Delay**
- **Voltage <11.8 - Output Instant Off**
- **12 Volt 15 Amp Solid State Output With Over Current Shutdown**
- **Standard Automotive Relay Pin Format**
- **Compact Size With Panel-Mount Bracket**
- **100% Solid State Construction**
- **Durable Metal Case**

Technical Description

The InPower VCM-06 Series are completely solid state 15 amp automatic power disconnect switches for 12 volt loads. The modules contains a microprocessor controller and a solid state 15 amp power switch for powering the output loads. The output provides over current and short circuit fault shut down protection. The module continuously monitors the voltage level of the 12 volt power input (terminal 86). If the voltage is above 13.25 volts the power switch will turn on to supply up to 15 amps on the output terminal to power the loads. If the voltage on the input drops below 12.8 volts a time delay is started. If the voltage remains below 12.8 volts until the timer expires the power switch will turn off, disconnecting the power to the loads. If the voltage drops below 11.8 volts with the timer running the power switch is shut off immediately. Any time the input voltage increases to above 13.25 volts the power switch will turn on to supply power to the loads and the timer will be reset.

Model	Shut Off Timer Value
VCM-06	0 to 60 Minutes Adjustable
VCM-06-60MF	60 Minutes Fixed
VCM-06-05MF	5 Minutes Fixed

Wiring Diagram



VCM-06 Series

Low Voltage Timed Power Disconnect

Specifications

Power Operating Range (86): Ground (85):	+8 to 16 Vdc @ 15 amps Connection to vehicle Ground (Battery Negative)	Output Disconnect Operation: Input voltage >13.25 - Output on Input voltage <12.8 - Output off after the shut off timer expires*
Module Output (30):	+12 volts @ 15 amps, over current and short circuit shutdown fault protection	Input Voltage <11.8 - Output instant off

Mechanical

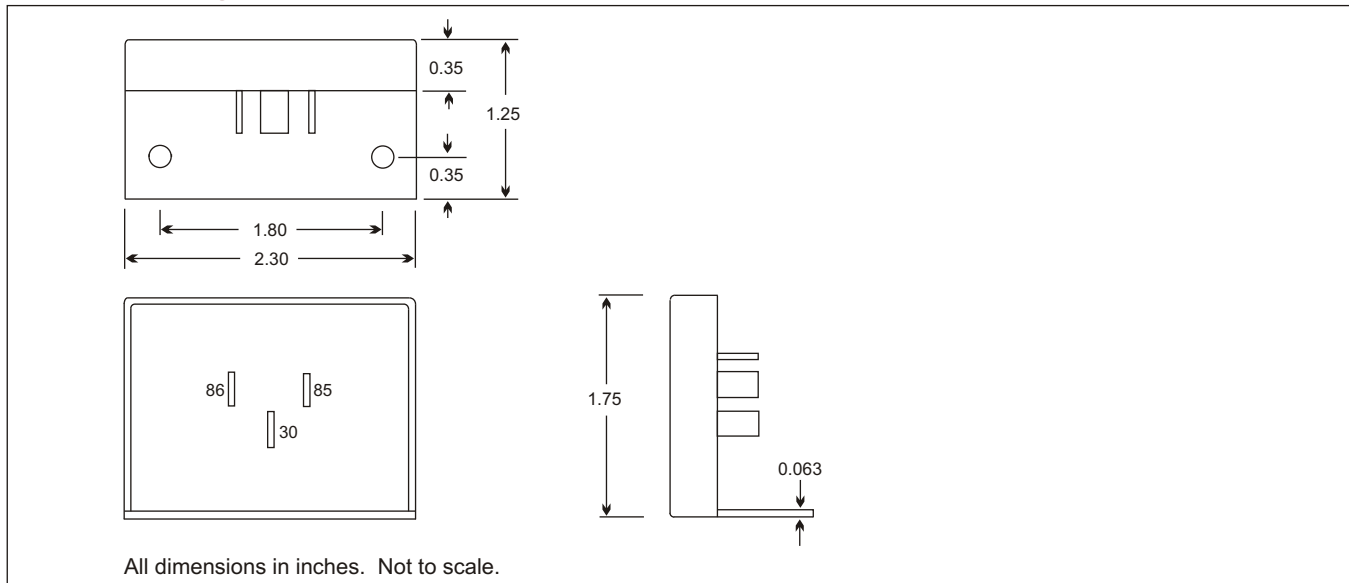
Weight:	0.10 lbs.
Operating Temperature:	-40° C to +85° C
Dimensions:	1.75" H x 2.30" W x 1.25"

* Time value per model number suffix:	
VCM-06	0 to 60 minutes adjustable
VCM-06-60MF	60 minutes fixed
VCM-06-05MF	5 minutes fixed

Installation

1. We recommend that the module be installed by a person trained and skilled in vehicle electrical systems. The installation should comply with SAE (Society of Automotive Engineers) and the vehicle manufacturer's electrical wiring procedures (e.g., Ford, General Motors, etc.).
2. The module should be installed on the inside of the vehicle in a dry and protected environment.
3. For optimum power output performance the product should be mounted to a metal surface.
4. Do not connect loads to the output that will exceed the output current rating of the module.
5. The 12 volt power input (86) must be from a properly fused +12 volt power source.
6. Wiring must be of the proper gage and type to handle the intended load currents.
7. We recommend the use of insulated 1/4 inch female blade terminals that connect to the terminals on the module. Be sure to properly crimp these terminals. **Do not solder wires directly to the module terminals.**
8. If you are experiencing problems with the installation or need troubleshooting assistance, contact InPower Customer Service at 740-548-0965.

Outline Drawing



InPOWER LLC
3555 Africa Road
Galena, Ohio 43021
Tel 740-548-0965
Fax 740-548-2302
www.InPowerDirect.com

Offered by: