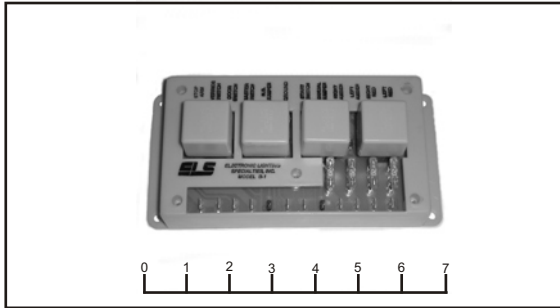


FLASHER REPLACEMENT INSTRUCTIONS

CONVERTING ELS Model B-1 To InPOWER Model SBF90

ELS Model B-1



InPOWER Model SBF90



Wiring Conversion Chart

| <u>Wire On</u> ELS Model B-1 | | <u>Goes to</u> InPower Model SBF91 | | <u>Comments</u> |
|--------------------------------------|---------------------------------------|---------------------------------------|-------------------------------|--------------------------------|
| <u>Terminal</u> | <u>Description</u> | <u>Terminal</u> | <u>Description</u> | |
| <i>For Sequential Operation:</i> | | | | |
| 1 | Stop Arm | 5 | Stop Arm | |
| 2 | Override Switch | 1 | Override Switch | |
| 3 | Door Switch (wire to Door Sw.) | 9 | Flash Red Only After Amber | |
| 3 | Door Switch (wire to Override Switch) | 10 | Flash Red When Door is Opened | |
| 4 | Master Switch (N.S. Jumper) | 2 | Master Switch | |
| 5 | Ground | 11 | N/A | |
| 6 | Start Switch (Manual Jumper) | 8 | Ground | |
| 7 | Right Amber | 3 | Start Switch | |
| 8 | Left Amber | 7 | N/A | |
| 9 | Right Red | 4 | Right Amber Lights | |
| 10 | Left Red | 6 | Left Amber Lights | |
| 9 | Right Red | 4 | Right Red Lamps | |
| 10 | Left Red | 6 | Left Red Lamps | |
| <i>For Non-Sequential Operation:</i> | | | | |
| 1 | Stop Arm | 5 | Stop Arm | |
| 2 | Override Switch | 1 | Override Switch | |
| 3 | Door Switch (wire to Door Sw.) | 10 | Flash Red When Door is Opened | |
| 3 | Door Switch (wire to Override Switch) | - | (No wire) | Remove wire to Override Switch |
| 4 | Master Switch (N.S. Jumper) | 2 | Master Switch | |
| 5 | Ground | 11 | N/A | |
| 6 | Start Switch (Manual Jumper) | 1 | Ground | |
| 7 | Right Amber | 3 | Start Switch | |
| 8 | Left Amber | 7 | N/A | |
| 9 | Right Red | 4 | Right Amber Lights | |
| 10 | Left Red | 6 | Left Amber Lights | |
| 9 | Right Red | 4 | Right Red Lamps | |
| 10 | Left Red | 6 | Left Red Lamps | |

Note - See Figure 1 & 2 for wiring details.

FLASHER REPLACEMENT INSTRUCTIONS

CONVERTING ELS Model B-1 To InPOWER Model SBF90

Figure 1 Wiring Before Flasher Conversion

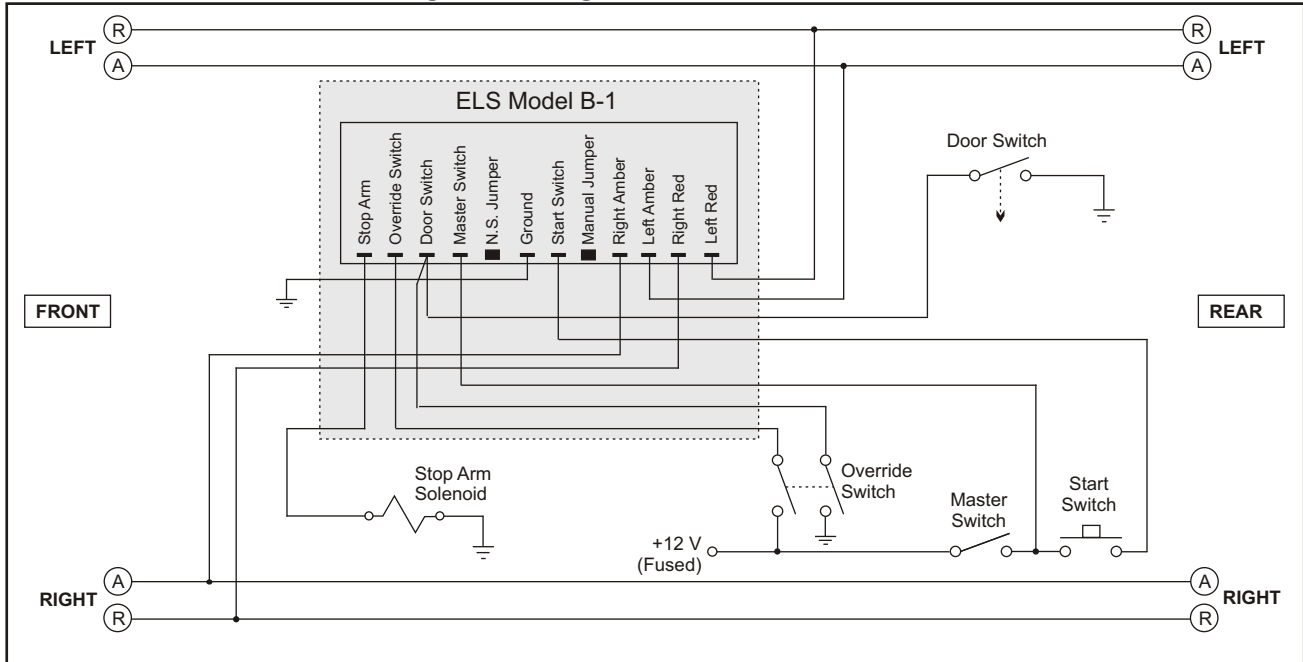


Figure 2 Wiring After Flasher Conversion

